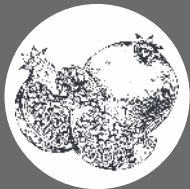


ROVIC

Vineyard Mist Blower

SYNCROFLOW® Technology
RSA Patent F2017/00593



CONSERVATION AGRICULTURE

The ROVIC philosophy is focussed on Conservation Agriculture. SYNCROFLOW[®] Technology is used in the design of the ROVIC VINEYARD MIST BLOWER, achieving the following objectives:

- The AIR MOMENTUM generated by the fan system is balanced with the vine structure and spraying speeds used in industry to supply the whole structure with spray-laden air, without undue losses due to spraying through the target. This increases the recovery levels of active ingredient and reduces the risk of drift contamination.
- The AIR VELOCITY PROFILES generated are balanced with the vine structure and dimensions to facilitate reach to all target areas without oversupply of air speed in the lower outside areas, resulting in blowing active ingredient off the target. This improves the uniformity of recovery of active ingredient throughout the target for improved efficacy.
- The ANGLE OF IMPACT on the target by the air momentum is not perpendicular, but at a forward angle, to facilitate improved catch efficiency on the target, improving the uniformity of recovery of active ingredient on fruit, branches and leaves.
- The LATERAL BALANCE (left and right) of AIR MOMENTUM and AIR VELOCITY PROFILES is achieved to ensure even results on both sides of the sprayer.
- The amount of ENERGY consumed in this process is as low as possible to support minimum carbon footprint and reduce the cost of operation.



ROVIC VINEYARD MIST BLOWER

Valuable Features

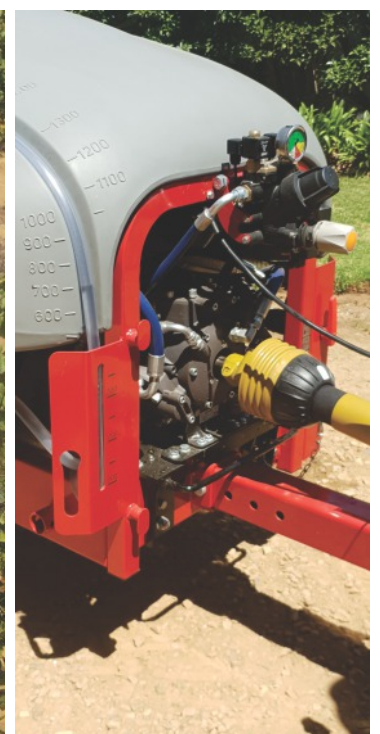
- Designed with minimal and ease of maintenance objectives to reduce cost of operations and downtime
- Complies to all internationally required standards to ensure safe and efficient operation
- Minimal energy input requirement with excellent recovery results support conservation farming requirements and reduce spray operation costs
- Versatility to spray various crops efficiently, e.g. Table Grapes, Wine Grapes, Coffee, Berries, Kiwis and much more
- Simple and accurate calibration to support improved efficiency and reduced losses



FEATURES

- **High-quality Polyethylene Tank**, smooth inside for easy tank cleaning
- **Clean water tank** for spray lines and filters rinsing. **Hand-wash tank** for safety and hygiene
- **Comet APS121 pump**. 120 l/min, 50 Bar maximum
- **Comer 2-speed gearbox** with neutral position for air-assisted or handgun applications

- **Class 6 PTO** with CV head for better turning radius
- **Comet Alfa 2 Control Unit** with full bypass function for maximum agitation during filling
- **Alfaflex (80 bar) high-pressure hoses**, chemically-resistant plumbing with full bore couplers for minimal pressure losses through the system and optimal energy use
- **Drawbar adjustable in length** and height for optimum set-up
- **800mm Multi-wing Fan with adjustable blade angles** for varying air capacity requirements
- **Glass Reinforced Polypropylene fan blades** with 300% overspeed safety
- **No fan clutch required**, reducing maintenance
- **Adjustable track width** through split axle and clamp arrangement (1.2 to 1.5m) to set up correctly behind tractor
- **Control unit brackets** supplied for both working (tractor mount) and storage (located on unit) to prevent damage of Control Unit during storage
- **Stainless steel** fan cowling
- **Foldable step** for filling and inspection operations
- **Clean water system rinse** and **handwash tank** as well as **dual main tank lids** to comply with Eurogap specifications



Watch this video

- **Two Venturi agitators** supplied with positive pressure directly from pump pressure manifold for optimal mixing and agitation
- **Ergonomic design** of pump, filters and piping layout to simplify maintenance operations
- **Stainless steel spray booms** with **14 double roll-over brass nozzle holders** for dual calibration and longevity
- **Three levels of filtration:** Tank filling lid baskets, ARAG low pressure and high pressure filters
- **Laser-cut "Indicator Plate"** at the front of the unit, to both protect the components behind it and to allow the tractor driver to see the tank level without leaving the tractor
- **T-pieces and taps**, at the rear of the unit, allow the **option to stop flow to the nozzles** so that one can couple hand-held spray guns
- **Adjustable bumper and rubber leaf guard**
- **"Coffee grinder" style parking jack**, which doubles as a holder for the tractor PTO when not in use
- **Tie-down lugs** at rear of unit for transport on a trailer
- **Tyres** used are a standard **LDV size (225/75R15)** on the 1000L, making on-site tyre replacement/ swapping possible



Easy Access Service System -EASS®

- EASS® - Easy Access Service System and PTO Shaft
- Adjustable drawbar with free rotational tow eye and heavy duty height-adjustable jack stand
- Class 6 Constant Velocity (CV) PTO shaft
- Standard on 1500 L model only

Below illustrates the Easy Access Service System





ROVIC VINEYARD MIST BLOWER Model Specifications

Model	Tank Capacity	Rinse Tank	Hand Wash Tank	Control	Fan Diameter	No. Fan Blades	Track Width	Tyres
	litres	litres	litres		mm		m	
1000 Vineyard	1000	90	15.8	Manual	800	6	1.25-1.55	225/75R15
1500 Vineyard	1500	116.4	15.8	Electric	800	6	1.35-1.65	10.0/75R15.3

Fan Capacity

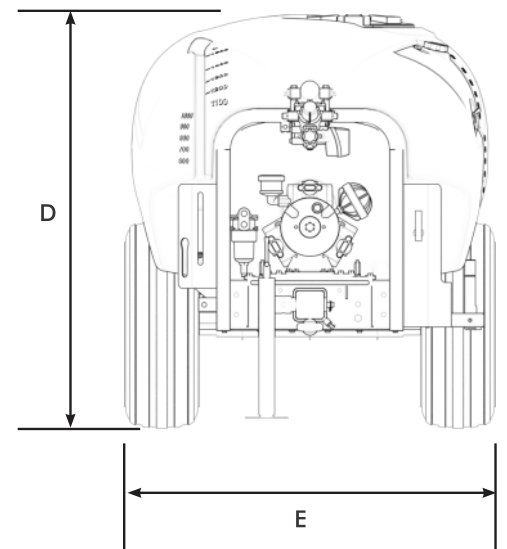
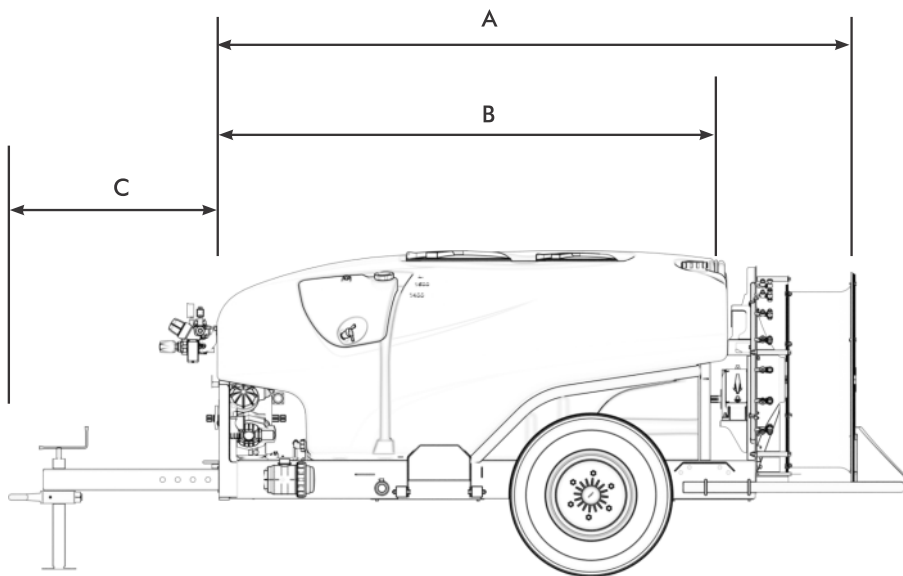
Fan Diameter	Pitch	Low Gear	High Gear	P.T.O. Speed
mm	Degrees	1:3	1:4	rpm
800	28.5	21 000 m ³ /h	26 000 m ³ /h	540

Suggested Tractor Ratings

Model	Engine kW
1000 l	35 kW
1500 l	35 kW

Complete Sprayer Dimensions and Weights

Dimensions	1000 L	1500 L
A	2550mm	2990mm
B	2030mm	2360mm
C	500 - 700mm	600 - 950mm
D	1460mm	1510mm
E - Track Width	1250 - 1550mm	1350 - 1650mm
Empty Mass	580kg	650kg



SPECIFICATIONS

ROVIC LEERS
CAPE TOWN HEAD OFFICE
 Saxenburg Road, Blackheath,
 Cape Town, Western Cape
 Tel: +27 (0)21 907 1700
 E-mail: info@roviceleers.co.za

ROVIC LEERS
PIETERMARITZBURG
 18 Pentrich Road, Mason Hill,
 Pietermaritzburg, Kwa-Zulu Natal
 Tel: +27 (0)33 346 2727

ROVIC LEERS
JOHANNESBURG
 19 Patrick Road, Jetpark,
 Johannesburg, Gauteng
 Tel: +27 (0)11 396 6200

ROVIC AFRICA
JOHANNESBURG
 19 Patrick Road, Jetpark,
 Johannesburg, Gauteng
 Tel: +27 (0)11 396 6240
 E-mail: info@rovicafrica.com

www.roviceleers.co.za

DESIGNED, DEVELOPED AND MANUFACTURED IN SOUTH AFRICA

ALSO AVAILABLE

ROVIC EVENFLOW® ORCHARD MIST BLOWER &
 ROVIC EVENFLOW® CITRUS MIST BLOWER

Rovic Vineyard Mist Blower 04/19



RovicLeers